

ashbee

Weigh-Bridge Load Cell Type UTIL-740



High Precision Load Cell type UTIL-740

UTIL 740 Load Cells are manufactured in Europe. These are designed to meet the most stringent requirements with respect to accuracy and performance. Approvals have been obtained from Weights & Measures Authorities in accordance with the worldwide accepted O.I.M.L.

The standard stainless steel low profile construction is hermetically sealed, which makes this load cell ideally suited for use in the harshest environments.

Typical applications for UTIL 740 load cells include weighbridges, and conversions of conventional lever system mechanical weighbridges to fully electronic.

The UTIL 740 load cell is a compressive type cell, utilizing strain gauges. It has a self centering column, pre corner adjustment and in built lightning protection.

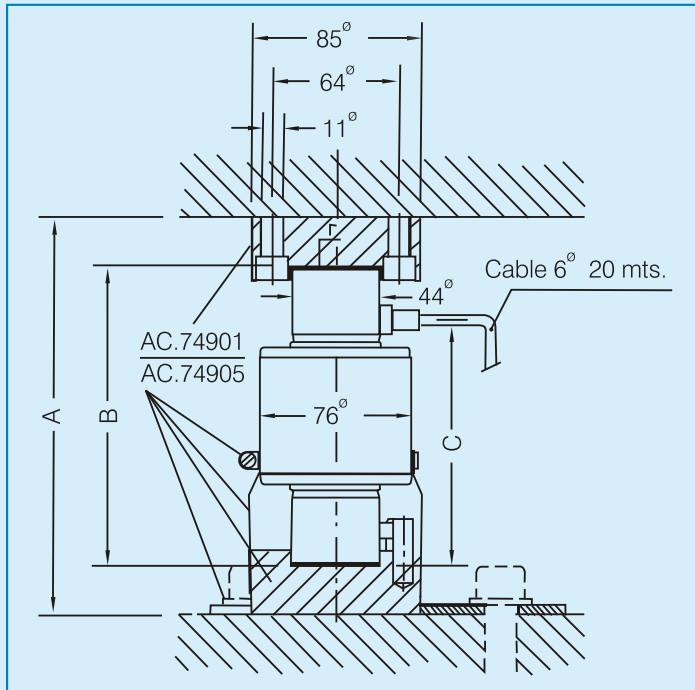
The special "Current Calibration" simplifies the time-consuming corner calibration during commissioning. Recalibration after load cell replacement can be omitted, depending on the local W&M regulations.

Options

- Explosion proof version (For use in hazardous area e.g. LPG)
- Digital version available as model 740 D

Designed for Weigh-Bridge application

- Capacity is 25t, 30t, 40t & 60t
- High Accuracy
- Fully stainless steel
- Lightning protection (in-built)
- Hermetically sealed by Welding as per IP68
- OIML approval



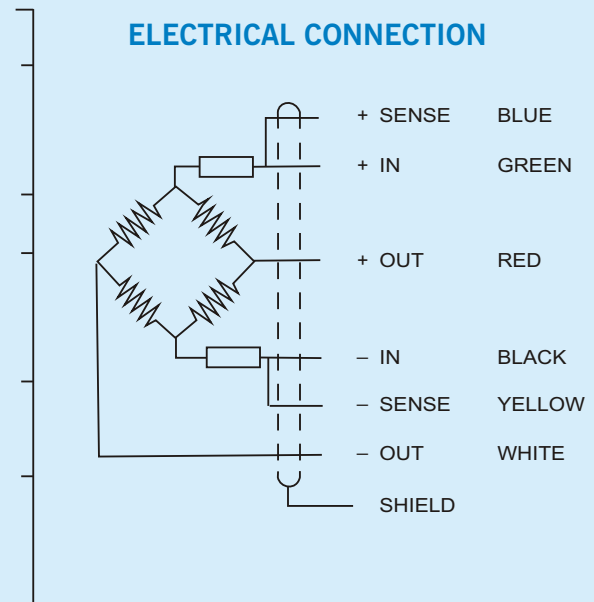
LOAD CELL MOUNTING



SPECIFICATIONS		
Nominal Capacities (Ln)	25-30-40-60	t
Accuracy class	3000	n. OIML
Minimum dead load	0	%Ln
Service load	120	%Ln
Safe load limit	150	%Ln
Total error	<±0.017	%Sn
Repeatability error	<±0.015	%Sn
Temperature effect : on zero	<±0.01	%Sn/5°K
on sensitivity	<±0.006	%Sn/5°K
Creep error (30 minutes)	<±0.016	%Sn
Temperature compensation	-10...+40	°C
Temperature limits	-30...+70	°C
Nominal sensitivity (Sn)	2	mV/V (1)
Nominal input voltage	10	V
Maximum input voltage	15	V
Input impedance	800±3	Ω
Output impedance	700±3	Ω
No load output	±2	%Sn
Insulation resistance	>5000	MΩ
Maximum deflection (at Ln)	0.6-1	mm

Pre-corner adjustment optimized at ±0.05% by output current calibration.

ELECTRICAL CONNECTION



SENSES : 2 additional wires to maintain a constant voltage supply at the load cell when used with proper instrumentation. Use specially when long wires and wide temperature range

SHIELD : Not connected to transducer body.

ASHBEE SYSTEMS PVT LTD

Factory & Registered Office : C-64, Okhla Industrial Area, Phase-I, New Delhi-110 020 (India)

Tel: 91-11-26816687/88/89/90, Fax: 91-11-26816566, Email: sales@ashbee.com Web: www.ashbee.com

Sales & Service Office:

Delhi:

28 Rani Jhansi Road,
New Delhi 110 055. (India)
Tel: 91-11-23535312/
23615286 / 23523745
Fax No: 91-11-23638898

Ahmedabad:

506 Golden Triangle,
5th Floor, Navrangpura,
Ahmedabad-380 009 (India)
Tel: 91-79-26402791,
Mobile 9825006163

Ludhiana:

Regal Building,
Near Congress 'I' district Office,
G.T. Road, Ludhiana, Punjab (India)
Tel: 91-161-2721670
Mobile 9815615158 & 9815336910

Kochi:

90, Kumaranasan Nagar,
Ernakulam, Kochi-682020.
Tel: 91-484-2204450,
Fax No. 91-484-2205450.